



# METEOR 8700 *Se+*

Unlimited Colors

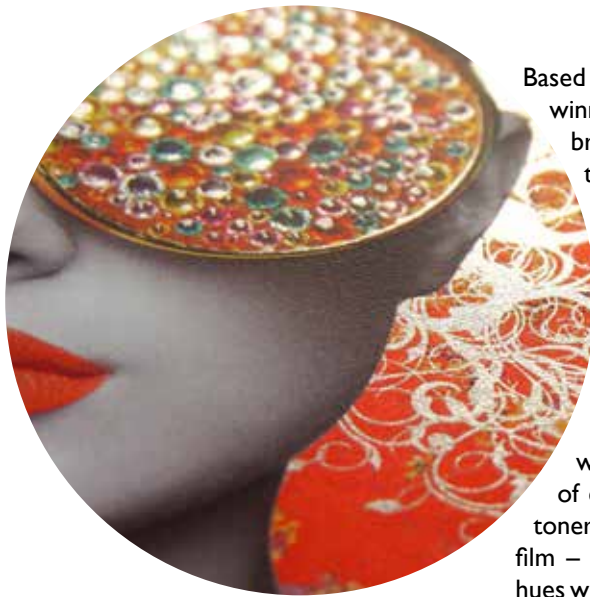
*Inline Digital Hot Foiling Solution  
with Meteor Se+ Digital Press*

*Boost your Business with 100% Digital Metallic Colors.  
Format up to 650 mm/25.6"*



**INNOVATION IN MOTION**

# FOCUS ON...



Based on the original MGI iFOIL award-winning technology, the *iFOIL T* is a breakthrough innovative digital toner foiling solution for the postpress print enhancement market. *MGI Meteor Se+* can be fully integrated with the *iFOIL T* station to create a Meteor Unlimited Colors inline printing & foiling solution. Print Service Providers (PSPs) are now able to produce output with a virtually unlimited number of colors via the blending of CMYK toner and the reflective qualities of foil film – including a rainbow spectrum of hues with metallic, glitter and holographic effects.

The *Meteor Unlimited Colors®* system uses a 100% digital production process. This unique integrated printing press & postpress foiling system eliminates the cost & need for die-making, screens and traditional makeready setup times and waste. Foils can be used to create brilliant (and highly profitable) special effects in a single pass.

## PRINTING SYSTEM

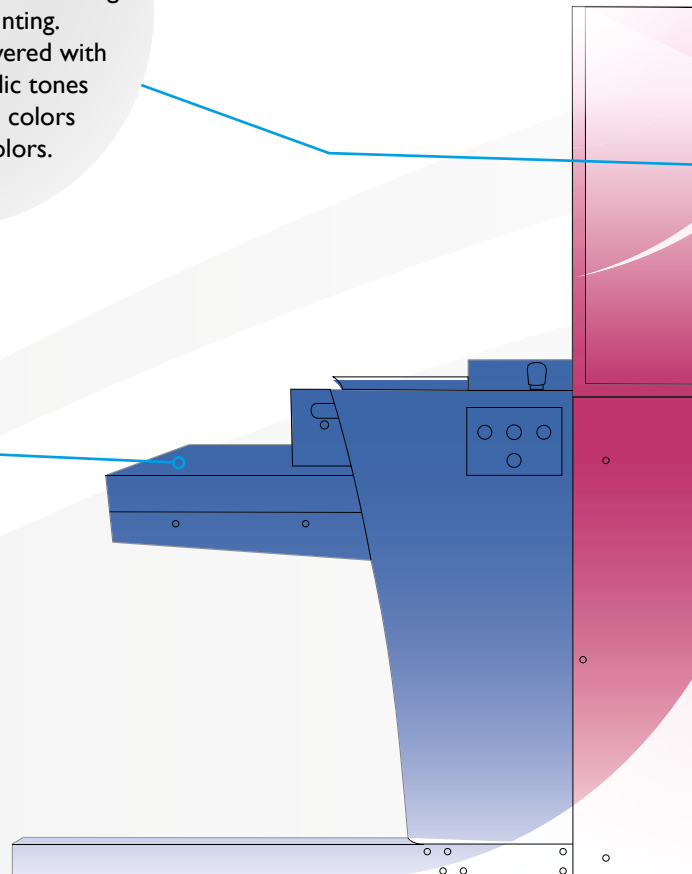
- Hi-def toner.
- Dry, silicone free toner
- Smaller particles
- Higher color consistency -
- Eco-friendly formula**
- Long life toner
- Ability to swap on-the-fly without interrupting production.

## iFOIL T

The iFOILT station connects in-line with the Meteor Se+ digital press, allows you to generate high added value printing. The final job is delivered with outstanding metallic tones combined with 4 colors overprinted colors.

## HIGH CAPACITY STACKER

High volume laser guided stacker for output. Stack up to 6,000 sheets of paper or 60 cm/23" height.





Since MGI does not impose click charges on Meteor presses, multiple passes can be cost-effectively used to create truly remarkable toner-over-foil blends of color and light on a diverse range of substrates – including uncoated & coated paper, laminated surfaces, plastics and many other synthetic materials. The system can use up to 2 different foils in a single pass.

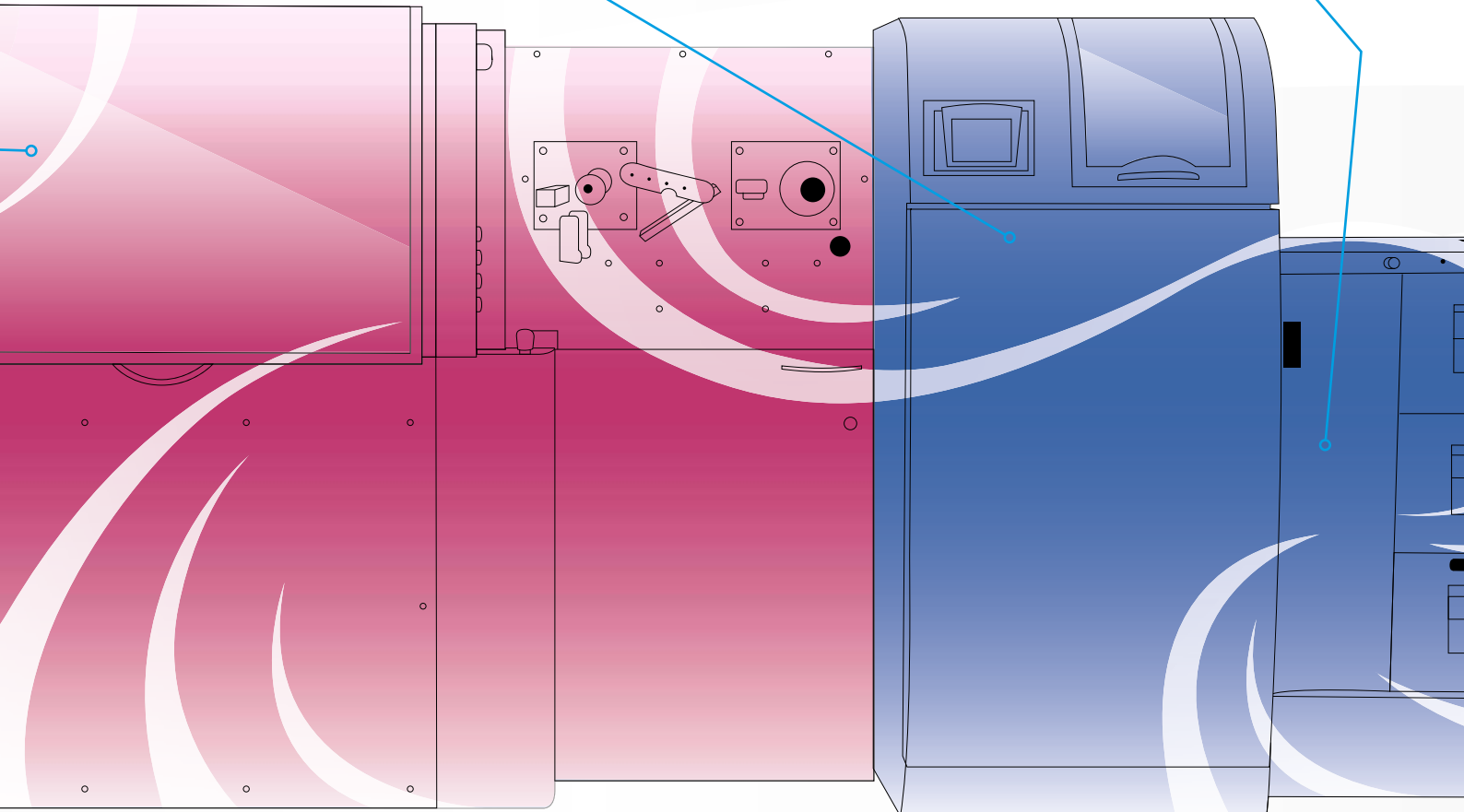
The *iFOILT* module connects inline with the *MGI Meteor Se+*. This digital enhancement options allows printers to generate lucrative, high-margin output, expand their service portfolios and strengthen their client relationships.

## FIRST PASS FOILING

Printing jobs can be embellished with the original foil color via a fusion of toner & foil adhesion to the substrate surface. Application examples include: logos, shapes, text, lines and highlights. The ability to add gold & silver to digitally printed output dramatically increases the value of the material to the customer.

## REGISTRATION

Automated Skew and Centering Adjustment (ASCA) system for on-the-fly registration.



## SECOND PASS TONER

With no click charges involved, printers can also overprint the foil applied during the first pass with another application of CMYK toner to create a limitless kaleidoscope of tints & hues – as well as precise spot coats to match colors generated from other environments. The light-reflecting qualities of gold & silver foil provide a powerful foundation for expanding the gamut of effects to a virtually unlimited color range.

## FOIL OVER FOIL AND AUTHENTICATION HOLOGRAM DIGITAL PRINTING® (AHDP) SYSTEM

AHDP®, a MGI exclusive and patent system, produces on-demand holographic imprints with *Meteor Unlimited Colors presses*, specially-formulated toner and foil films. The digital holographic effects offer customized security authentication options at a mere fraction of traditional costs. This powerful anti-counterfeiting method is now economically accessible without the need of expensive dies and lengthy tooling processes. AHDP also works in conjunction with variable data printing (VDP) to create unique document identification applications.

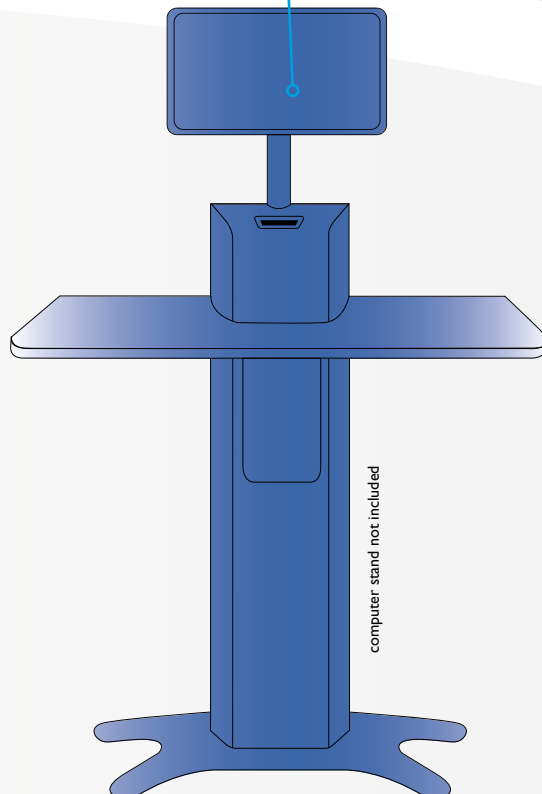
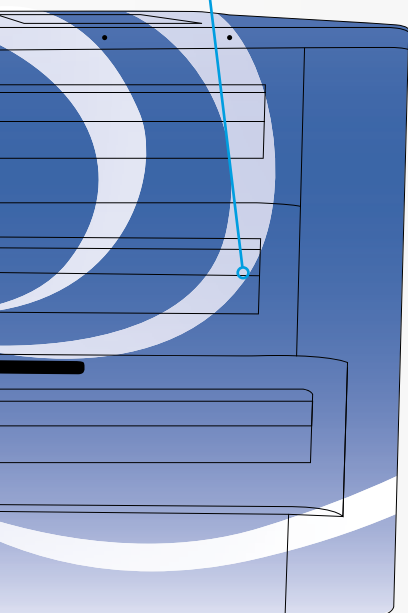


## FORMATS UP TO 330X650 MM/25.6"

5 trays with linking capabilities of which 3 trays with air feed system. Total capacity of 5,430 sheets.

## METEOR MANAGER SOFTWARE SUITE

Meteor Manager is a powerful supervision software platform. Within a single tool, it gives access to the operator to the entire parameter to manage and setup the production from 4-color printing through hot foil finishing. All the parameters can be also stored for further reprinting which saves you time and improves your efficiency.



computer stand not included

# Technical Specifications

## **METEOR Se+**

### **COLOR PRINT SPEED**

Up to 71<sup>(1)</sup> A4 sheets per minute.

### **PRINT QUALITY AND LINE SCREENS**

Print resolution up to 3,600 dpi and line screens ranging from 130 to 270 lpi.

### **PRINTABLE FORMATS**

- Min: 100x148 mm - 3.9x5.8"
- Max: 330x650<sup>(2)</sup> mm - 13x25.6"

### **SUPPORTED SUBSTRATE THICKNESSES**

- **Paper** from 65 up to 350 gsm/350 µm.
- **Synthetic** specific substrates such as Teslin®, Folex® & MDV®
- **Envelope**<sup>(3)</sup> from 100 up to 400 µm with/without window.

### **PAPER INPUT**

- **2 Internal Trays (trays #1 & 2).**  
1,500 sheets total capacity (500+1,000 sheets).
- **3 trays (#3,4 & 5) linking high capacity feeder with air feed system.**  
3,930 sheet total capacity (2x1,390 + 1,150<sup>(2)</sup> sheets).  
Max. size is 330x650mm from tray #5, otherwise 330x487mm

### **REGISTRATION**

Precise registration with exclusive Automated Skew and Centering Adjustment (ASCA) system. Comparable to offset, applies to all printed works (front-back, page-page at ±0.5 mm).

### **PAPER OUTPUT**

High pile motorized stacker for hosting up to 60 cm of paper height.

### **EXTERNAL FIERY FS100 PRO CONTROLLER SYSTEM WINDOWS 10 FES 64-BIT**

### **PERSONALIZATION AND VARIABLE DATA PRINTING**

100% compatible with market standard software solutions (Adobe InDesign, Bartender, Newleaf...).

## **iFOIL T**

### **SUPPORTED THICKNESSES WITH FOIL WITHOUT TONER OVERPRINTING**

- Min. 80 gsm equals to 80 µm prior to printing and possible lamination.
- Max. 350 gsm equals to 350 µm prior to printing and possible lamination.

### **SUPPORTED THICKNESSES WITH FOIL AND TONER OVERPRINTING**

- Min. 150 gsm equals to 150 µm prior to printing and possible lamination.
- Max. 350 gsm equals to 350 µm prior to printing and possible lamination.

### **PRINTING SPEED**

Up to 50<sup>(4)</sup> A4 sheets per minute

### **PAPER FORMATS**

- Min: 110x220 mm
- Max: 330x650<sup>(2)</sup> mm

### **SUBSTRATS**

The Hot Foil process is compatible with most<sup>(5)</sup> of the substrates supported by the Meteor Digital Press series (uncoated and coated papers, envelopes, Teslin, synthetic substrates, etc.).

### **HOT FOILS**

Utilizes MGI gold and silver hot foils. Integrated foil optimization system.

### **ROLLS**

Foils are delivered on rolls. Standard roll is 320 mm width and 305 meter long, using 1" core, Possibility to use smaller widths such as 100 mm and add them up on the same axis for laying up to two simultaneous colors. Standard is 1" core and 3" core as an option.

### **METEOR MANAGER SOFTWARE SUITE**

Meteor Manager is a powerful supervision software platform. Within a single tool, it gives access to the operator to the entire parameter to manage and setup the production from 4-color printing through hot foil finishing. All the parameters can be also stored for further reprinting which saves you time and improves your efficiency.

## **METEOR UNLIMITED COLORS Se+**

### **ELECTRICAL SPECIFICATIONS**

- Feeder: 1 x (230V / IP+N+E / 10 A)
- Printer: 1 x (230V / IP+N+E / 25 A)
- iFOIL T: 2 x (230V / IP+N+E / 25A)  
1 x (230V / IP+N+E / 16 A)
- Stacker: 1 x (230V / IP+N+E / 6 A)
- Computer & RIP : 3x1x (230V / IP+N+E / 16 A)

### **OPERATING ENVIRONMENT**

- Required temperatures: 18° to 30°C (59°F to 86°F)  
Optimum between: 20° to 22°C (64° to 73°F)
- Operating Humidity: 30% to 50% RH  
Optimal condition: 40%

### **DIMENSIONS & WEIGHT**

LxVxH: 5.56x1.31x1.93 meters / 18.24x4.30x6.33"  
1,780 kg/ 3,924 lbs

(1) without calibration and stabilization

(2) using tray #5 and max. 250 gsm in simplex

(3) envelop production requires an additional & specific envelop fuser

(4) print speed may vary according to the substrate and print parameter used

(5) please contact MGI to check your substrats/toner/foil compatibility

This is not a contractual document and technical specifications subject to change without notice.  
All the other trademarks cited are marks registered by their respective manufacturers.  
Operator / end-users are invited to submit substrates and foils to MGI for validation.